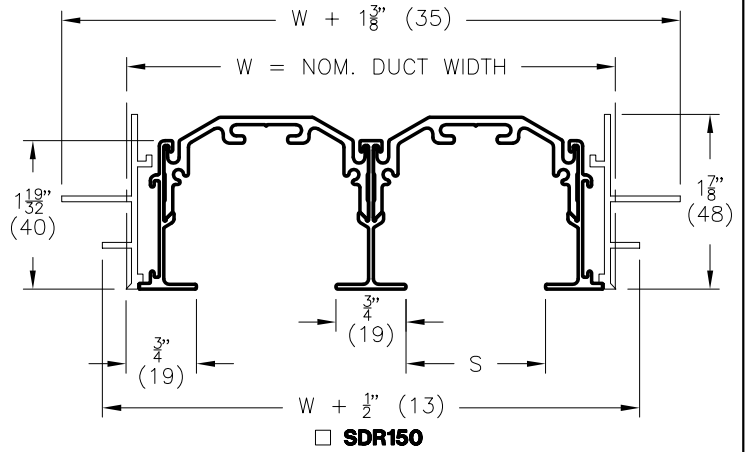
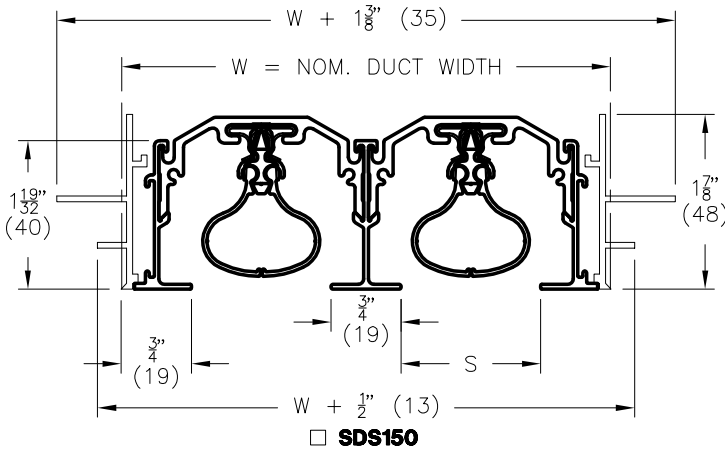
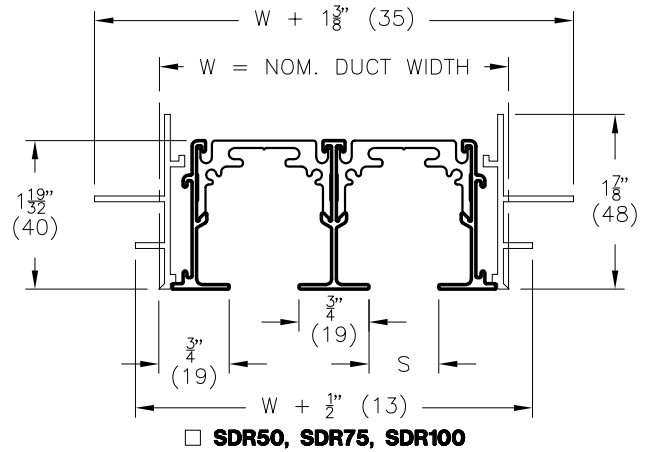
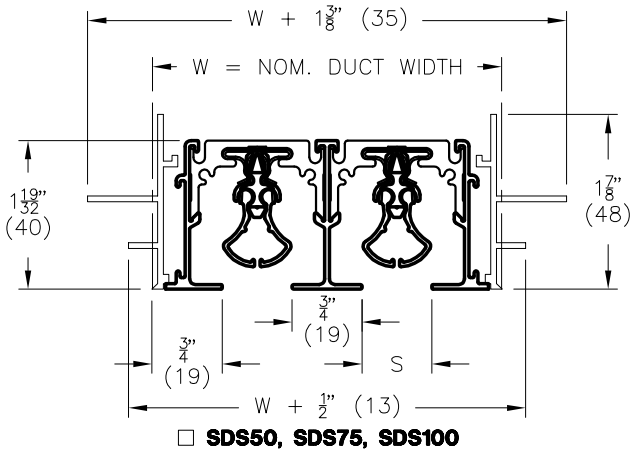


**SDS / SDR LINEAR SLOT DIFFUSER - TYPE 6
SURFACE MOUNT APPLICATION WITH PLASTER FRAME**



FINISH:

- PATTERN CONTROLLERS – B17 BLACK
- DIFFUSER FACE – B12 WHITE
(OPTIONAL FINISHES AVAILABLE)

MATERIAL:

- EXTRUDED ALUMINUM FRAME
- EXTRUDED ALUMINUM PATTERN CONTROLLERS ON MODELS SDS50, SDS150
- ROLLFORMED STEEL OR EXTRUDED ALUMINUM PATTERN CONTROLLERS ON SDS75, SDS100

NOTE:

- MINIMUM LENGTH 8" (203)
- MAXIMUM SECTION LENGTH 72" (1829)
- UNITS 6 SLOT AND LARGER SUPPLIED WITH 1" (25) REINFORCING ANGLES ATTACHED TO DIFFUSER
- 180° AIR PATTERN ADJUSTMENT AVAILABLE
- SEE INSTALLATION INSTRUCTION I100043
- FOR CONCEALED MOUNTING IN PLASTER OR TILE
- FACTORY TOLERANCE $\pm 1/32$ " (1)

MODELS:

- | | |
|--------------------------|------------------------|
| SUPPLY DIFFUSERS: | RETURNS: |
| □ SDS50 – 1/2" SLOT | □ SDR50 – 1/2" SLOT |
| □ SDS75 – 3/4" SLOT | □ SDR75 – 3/4" SLOT |
| □ SDS100 – 1" SLOT | □ SDR100 – 1" SLOT |
| □ SDS150 – 1 1/2" SLOT | □ SDR150 – 1 1/2" SLOT |

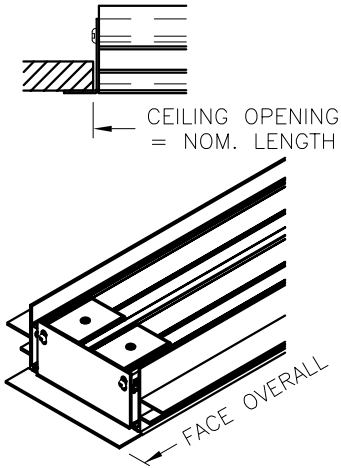
ALL METRIC DIMENSIONS () ARE SOFT CONVERTED. IMPERIAL DIMENSIONS ARE CONVERTED TO METRIC AND ROUNDED TO THE NEAREST MILLIMETER.

PROJECT:		PRICE [®]	
ENGINEER:		<i>MJ</i>	SDS / SDR TYPE 6 SURFACE MOUNTED LINEAR DIFFUSER WITH PLASTER FRAME
CUSTOMER:		235046	
SUBMITTAL DATE:	SPEC. SYMBOL:	2013/08/30	

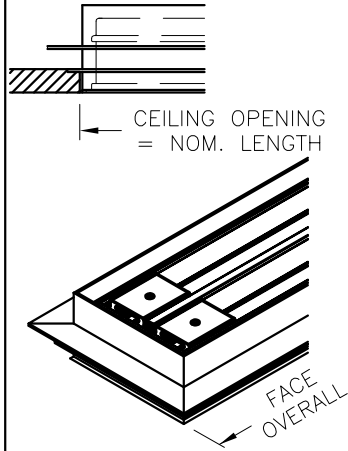
**SDS / SDR LINEAR SLOT DIFFUSER - TYPE 6
SURFACE MOUNT APPLICATION WITH PLASTER FRAME**

END CONDITIONS:

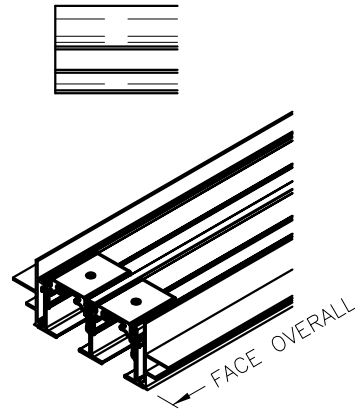
W - FLANGE END



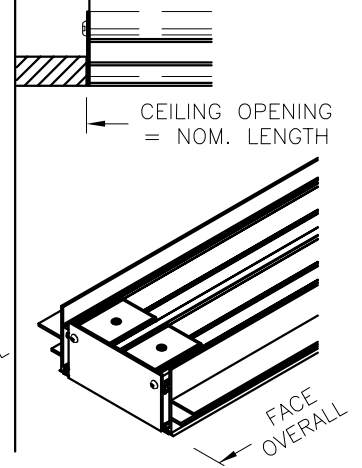
X - MITRED END



Y - OPEN END
FOR SPLICING TOGETHER
MULTIPLE SECTIONS



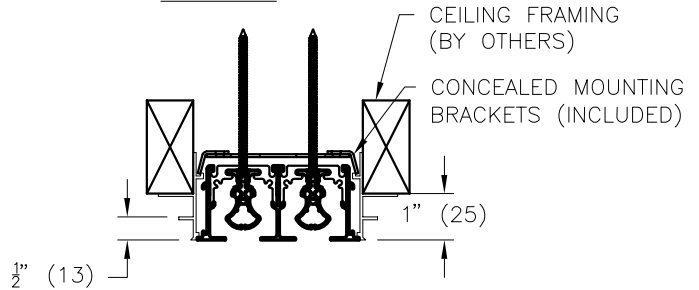
Z - FLUSH END CAP



SCREWHEADS EXTEND 1/8" (3) BEYOND
OPENING DIMENSION ON Z ENDS

END CONDITION	FACE OVERALL LENGTH
W-W	NOM. LENGTH + 1 1/4" (32)
W-Y	NOM. LENGTH + 5/8" (16)
X-X	NOM. LENGTH
X-Y	NOM. LENGTH
Y-Y	NOM. LENGTH
Y-Z	NOM. LENGTH
Z-Z	NOM. LENGTH

MOUNTING:



SLOTS	W			
	SDS50	SDS75	SDS100	SDS150
1	2" (51)	2 1/4" (57)	2 1/2" (64)	3" (76)
2	3 1/4" (83)	3 3/4" (95)	4 1/4" (108)	5 1/4" (133)
3	4 1/2" (114)	5 1/4" (133)	6" (152)	7 1/2" (191)
4	5 3/4" (146)	6 3/4" (171)	7 3/4" (197)	9 3/4" (248)
5	7" (178)	8 1/4" (210)	9 1/2" (241)	12" (305)
6	8 1/4" (210)	9 3/4" (248)	11 1/4" (286)	14 1/4" (362)
7	9 1/2" (241)	11 1/4" (286)	13" (330)	16 1/2" (419)
8	10 3/4" (273)	12 3/4" (324)	14 3/4" (375)	18 3/4" (476)
9	12" (305)	14 1/4" (362)	16 1/2" (419)	21" (533)
10	13 1/4" (337)	15 3/4" (400)	18 1/4" (464)	23 1/4" (591)

ALL METRIC DIMENSIONS () ARE SOFT CONVERTED. IMPERIAL DIMENSIONS ARE CONVERTED TO METRIC AND ROUNDED TO THE NEAREST MILLIMETER.

PROJECT:		PRICE [®]
ENGINEER:		
CUSTOMER:		<i>MG</i>
SUBMITTAL DATE:		235046
SPEC. SYMBOL:		2013/08/30
SDS / SDR TYPE 6 SURFACE MOUNTED LINEAR DIFFUSER WITH PLASTER FRAME		